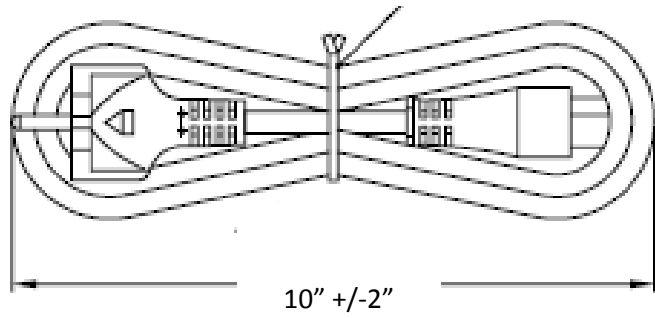


Packaging: Figure 8 and twist tie



Notes:

1. Plug: Type CEE7/7 splash proof (Tool 358)Black
2. Cordage: H05BQF3G1.0mm Black OD 7.0 +/-0.2mm -40C~+90C
3. Connector: EN60320 C13 (Tool 544) Black
4. Approvals: KEMA-ENEC
5. Rating: 10A/250V
6. Color coding: Blue, Brown, Green/Yellow

E	Added tool 544	5/31/13
D	Added approval marks and IP44 ring location	5/30/13
C	Added KEMA-ENEC approval	4/22/13
B	Plug changed from 258	11/9/12
A	Master drawing addition	11/8/12
REV	Description	Date



4B Jules Lane
New Brunswick, NJ 08901
Tel. 732-249-2656
www.megaelectronics.com

Proprietary Notice:

This document is the property of MEGA Electronics, Inc. The information contained herein is not to be disclosed to anyone without the express written consent of MEGA Electronics.

Customer P/N
Rev.

RoHS Compliant

Item Description: Continental European cord black 114" H05BQF

Approved: GF

Drawn By: JG

Date: 5/31/13

Part Number: 199-5BQF-3.0