

Packaging: Bulk packed

Rating: 10A /250V for Europe-15A /250V for USA

Cable size:

3C x 0.75 ~ 1.50mm² Max

3C x 14~18 AWG

Certification

KEMA/ENEC for Europe

SAA for Australia

For Japanese version see part PA130100BKPSE



B	SAA Added	10/19/16
A	Release	11/2/15
REV	Description	Date



4B Jules Lane
New Brunswick, NJ 08901
Tel. 732-249-2656
www.megaelectronics.com

Proprietary Notice:

This document is the property of MEGA Electronics, Inc. The information contained herein is not to be disclosed to anyone without the express written consent of MEGA Electronics.

Customer P/N
Rev.

RoHS Compliant

Item Description: Locking C13 connector, assembled. Mates with any C14 inlet

Approved: ES

Drawn By: GF

Part Number: PA130100BK

SYSTEM DESCRIPTION

Screw-In Terminals – This product is designed to be used in accordance with cords with rating no higher than that of the product itself.

The nominal torque value for the terminal screws = 0.4Nm. The strain relief clamping screws should be 0.3Nm (2.65in-lbs).

ENVIRONMENTAL CONDITIONS

Ambient Temperature:

- Not normally exceeding 25°C, but occasionally reaching 35°C.
- This product is rated for cold conditions.

Relative Humidity:

- 5 - 95% non-condensing, non-corrosive.

WIRING

To access the terminations, first unscrew (Fig. 1.), remove the cover plate (Fig. 2.), and then remove the cable clamp (Fig. 3.).

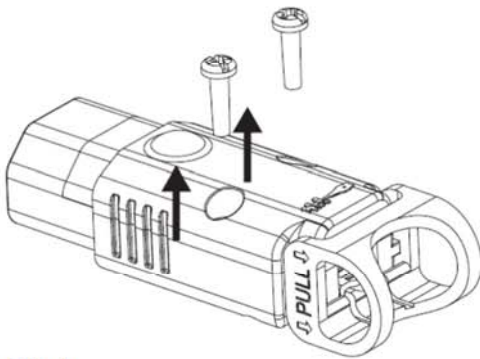


Fig. 1.

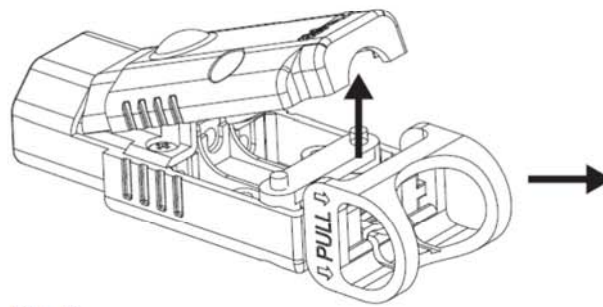


Fig. 2.

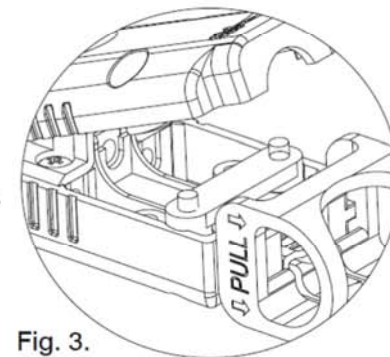


Fig. 3.

Feed the cable through the handle (Fig.4.) and wire the cable into the terminal (Fig. 5.) ensuring that correct polarity and nominal torques values are observed (0.4Nm).

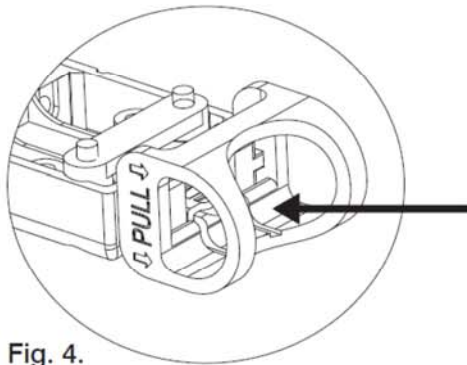


Fig. 4.

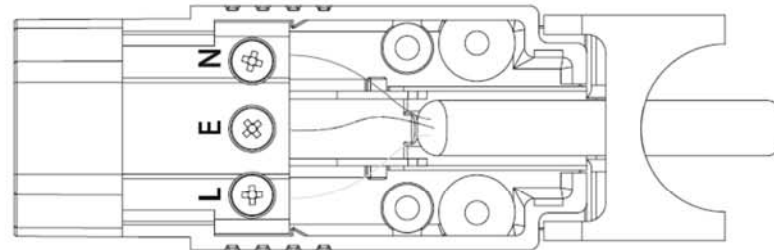


Fig. 5.

Strip cable sheathing to length (ensuring EARTH is longer than LIVE and NEUTRAL).

- Both LIVE (Phase) and NEUTRAL = 18mm
- EARTH (Ground) = 23mm

Strip all conductor jackets 6mm

Replace the cord grip (Fig. 6.) ensuring the torque value is achieved (0.3Nm), and then replace the cover plate and screws.

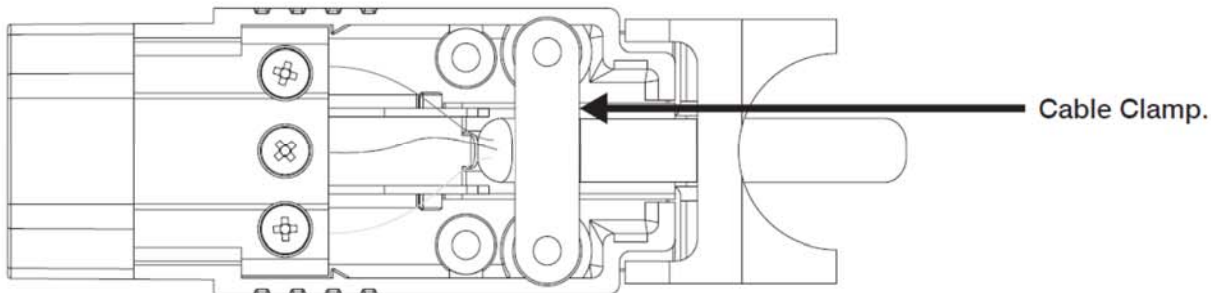
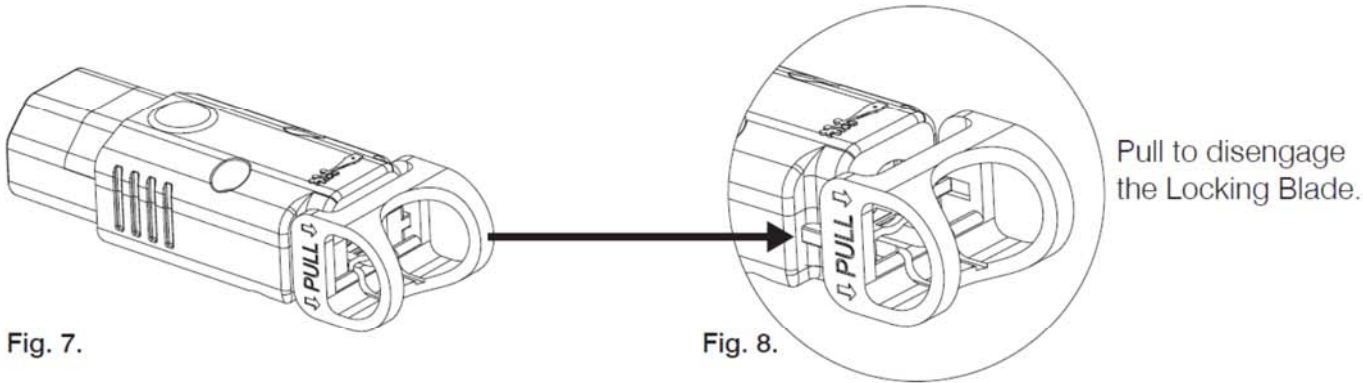


Fig. 6.

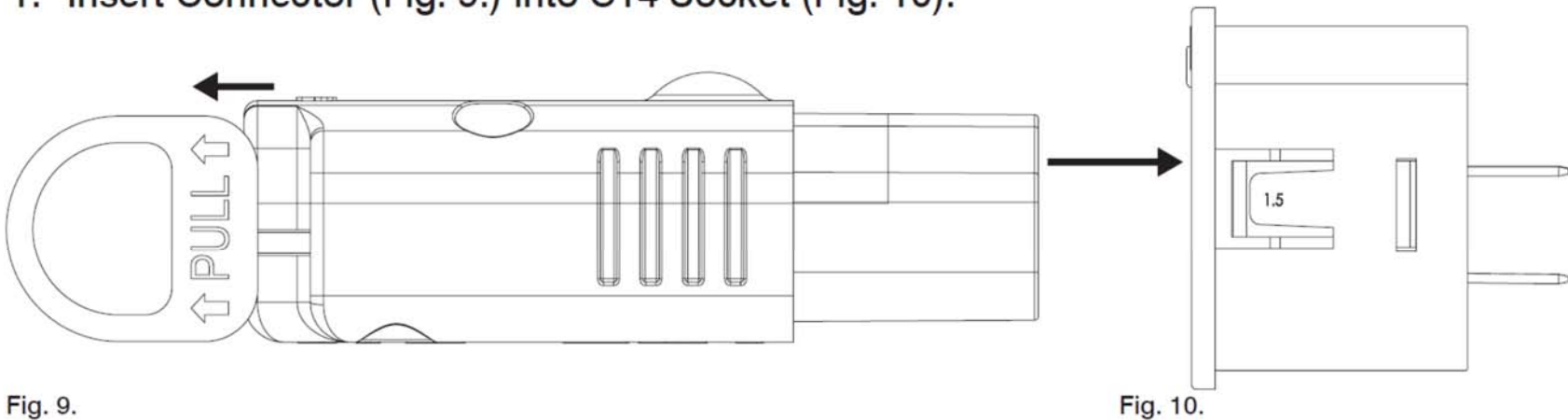
INSERTION AND REMOVAL

It is essential for maintaining the service life of the product, specifically the locking blade and its locking properties that the following is adhered to.

Before inserting the connector into a C13 socket, the locking blade mechanism must be disengaged by fully retracting the 'RED' handle on the front of the socket (fig. 7 & 8.).



1. Insert Connector (Fig. 9.) into C14 Socket (Fig. 10).



2. Release the handle to 'lock' the connector in place (Fig. 11.).

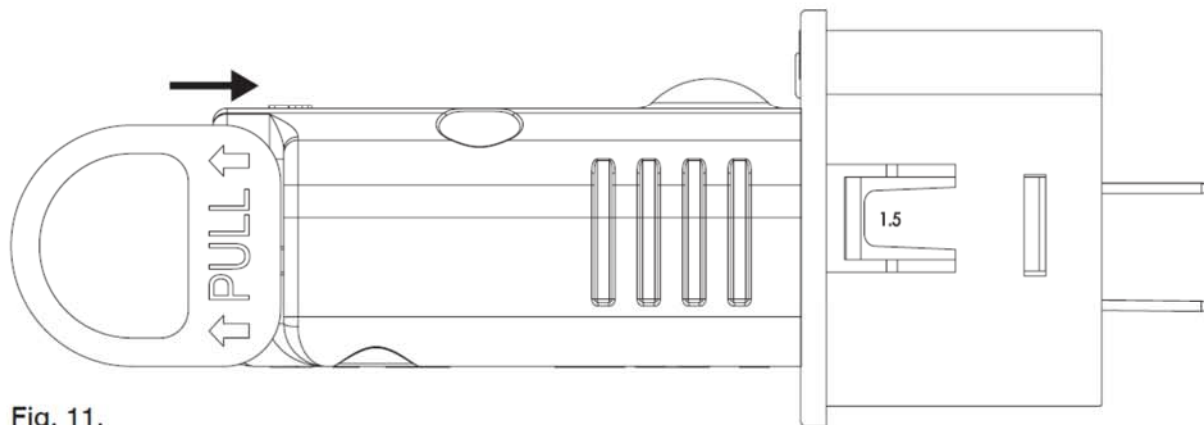


Fig. 11.