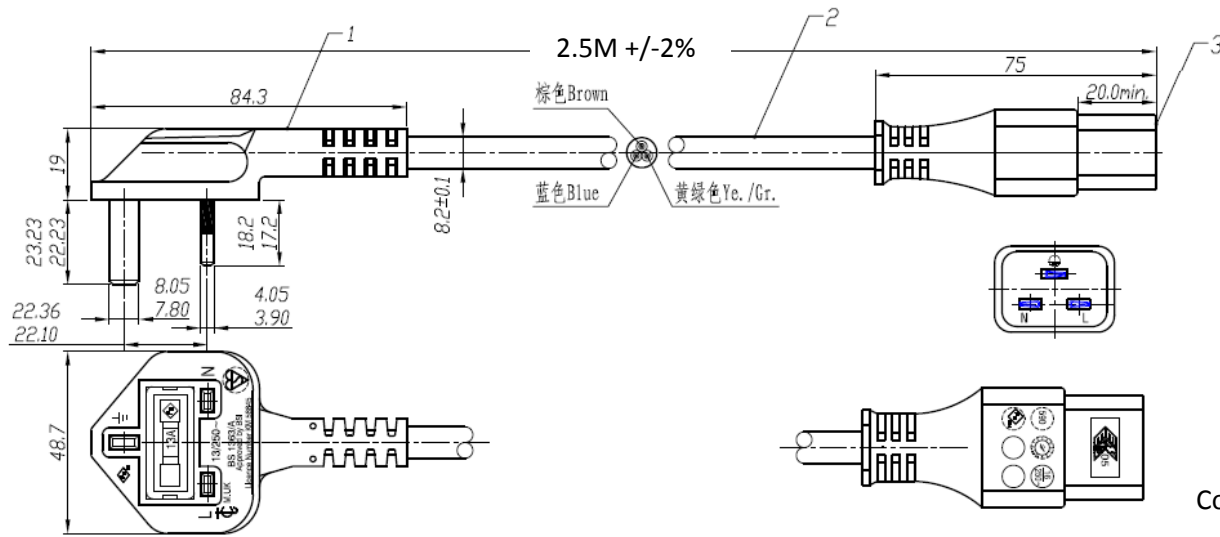
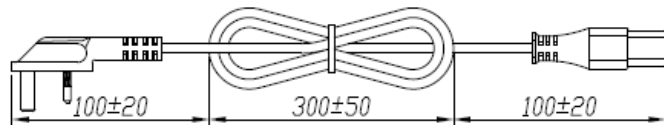


Plug: BS1363  
13A Fuse



Connector: EN60320 C19

Packaging: Figure 8 and twist tie



Notes:

1. Plug Type: BS1363 (13A Fuse)
2. Cordage: H05VVF3G1.5mm
3. Connector: EN60320 C19
4. Approvals: BSI-ENEC
5. Rating: 13A/250V
6. Color: Black

REV	Description	Date
Cgf	Dimensional update	2/17/16
B	Revised Drawing format	5/28/13
A	Drawing Release	1/1/01



4B Jules Lane  
New Brunswick, NJ 08901  
Tel. 732-249-2656  
www.megaelectronics.com

Proprietary Notice:

This document is the property of MEGA Electronics, Inc. The information contained herein is not to be disclosed to anyone without the express written consent of MEGA Electronics.

RoHS Compliant

Item Description: United Kingdom Power Cord with C19 connector

Approved By: ES

Drawn By: AG

Part Number: 209-26