



**Features:**

- Universal AC input
- Built-in active PFC, PF>0.95
- Withstand 300Vac surge input for 5 sec
- High efficiency, long life and high reliability
- Output protection: SCP/OLP/OPP
- Wide operating ambient temperature (-25~70°C)
- Operating altitude up to 5000m
- PCB both sides with conformal coating
- All using 105°C long life electrolytic capacitor
- 100% full load burn-in test
- Built-in cooling fan speed control
- 3 years warranty

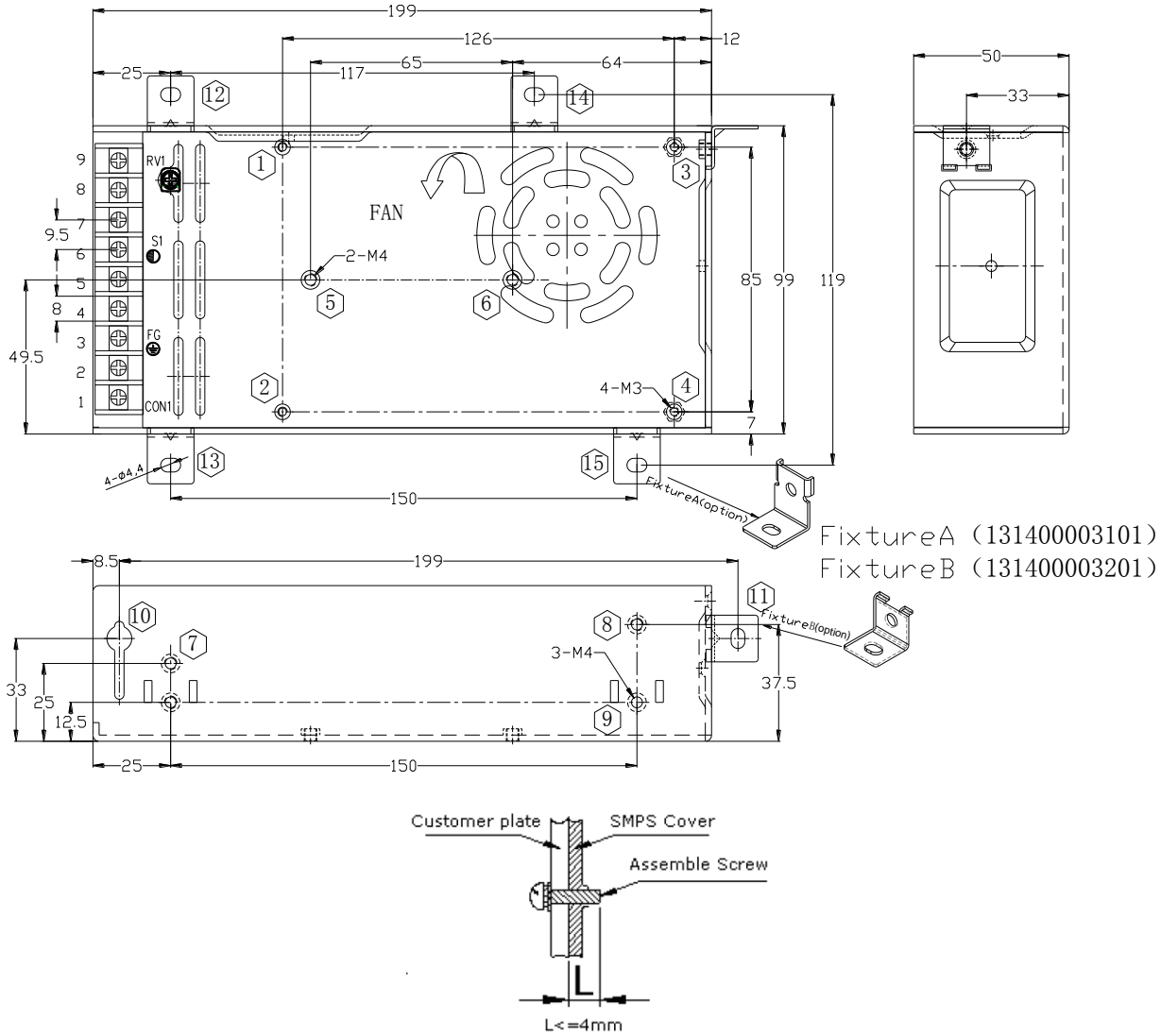


**SPECIFICATION**

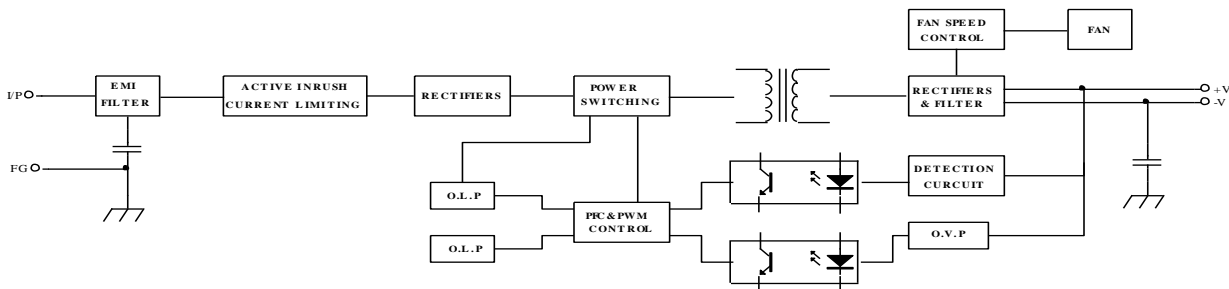
MODEL	MFGKF-200-5II	MFGKF-200-12II	MFGKF-200-24II	MFGKF-200-48II	
<b>OUTPUT</b>	DC Output	5.0V	12V	24V	48V
	Rated Current	40A	16.7A	8.4A	4.2A
	Current Range Note 1	0~40A	0~16.7A	0~8.4A	0~4.2A
	Ripple and Noise Note 2	<150mV	<150mV	<200mV	<200mV
	Voltage ADJ. Range	-5%~+10% of rated output voltage			
	Voltage Accuracy	±1.0%			
	Line Regulation	±0.5%			
	Load Regulation	±1.0%			
	Set-up Time	≤2S (230Vac input, Full load)			
	Hold up Time	≥10mS (230Vac input, Full load)			
	Temperature Coefficient	±0.03%/°C			
	Overshoot and Undershoot	<5.0%			
<b>INPUT</b>	Voltage Range	85Vac~264Vac, 120Vdc~370Vdc			
	Frequency Range	47Hz~63Hz			
	Power Factor(Typical)	PF > 0.98/115VAC		PF > 0.95/230VAC	
	Efficiency ( Typical)	79%	84%	86%	87.5%
	AC Current (max.)	< 3.5A			
	Inrush Current (Typical)	<50A@230Vac <30A@115Vac Cold start			
	Leakage Current	Input—output:<0.25mA		Input—PG:<1.0mA	
<b>PROTECTION</b>	Over Load	105%~150% of rated output current, Hiccup mode, auto recovery			
	Over power	105%~150% of rated output power, hiccup mode, auto recovery			
	Short Circuit	Long-term mode, auto recovery			
<b>ENVIRONMENT</b>	Operating amb. Temp. & Hum.	-25°C~70°C; 20%~90%RH No condensing(refer to the derating curve)			
	Vibration	10 ~ 500Hz, 2G 10min./1cycle, period for60min. each along X,Y, Z axes			
	Storage Temp. & Hum.	-40°C ~85°C; 10%~95%RH No condensing			
<b>SAFETY &amp; EMC</b> (Note 3)	Safety Standards	UL60950-1 2 <sup>nd</sup> Ed; IEC 60950-1:2005(2 <sup>nd</sup> Ed) ;EN60950-1:2006			
	Withstand Voltage	Primary-Secondary: 3.0KVac; ≤10mA .Primary-PG:1.5KVac; ≤10mA. Secondary-PG: 0.5KVDC;≤10mA.			
	Isolation Resistance	≥100M ohms			
	EMI Conduction&Radiation	Compliance to EN55022,EN55024 Class B			
	Harmonic Current	Compliance to EN61000-3-2,-3			
	EMS Immunity	Compliance to EN61000-4-2,3,4,5,6,8,11;EN55024,EN61000-6-2 heavy industry level			
<b>OTHERS</b>	MTBF (MIL-HDBK-217F)	More than 200,000Hrs (25°C, Full load)			
	Dimension (L*W*H)	199×99×50mm			
	Packing	12PCS/CTN, 9.5KGS, 0.04CBM			
	Cooling method	Cooling by forced air (built-in DC fan)			
<b>NOTE</b>	1. All parameters NOT specially mentioned are measured at rated input, rated load and 25°C of ambient temperature. 2. Measured at 20MHz of bandwidth by using a 12" twisted pair-wire terminated with a 0.1 uF & 47uF parallel capacitor. 3. The SPS is considered a component which will be installed into final equipment. The equipment must be re-confirmed that it still meets EMC directives.				

**Mechanical Specification**

unit:mm



**Block Diagram**



**Derating Curve**

