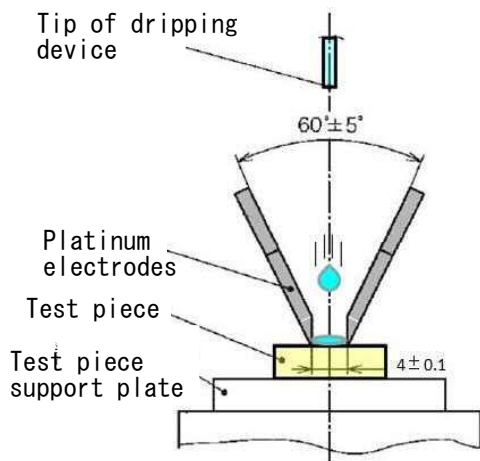


(1) Measure to prevent tracking at electric plug

— Summary of requirements

【Proof tracking test】

PTI (defined by JIS C 2134 (Method for the determination of the proof and the comparative tracking indices of solid insulating materials) of insulating material at outer surface of plug that contacts outlet and two parallel blades are in direct contact must be over 400.



(Summary of test method)

Drip a drop of electrolyte every 30 seconds on a sample piece and impress voltage between platinum electrodes placed on the sample piece to see if tracking happens during the test.

(PTI : proof tracking index)

Numerical value of the proof voltage expressed in volts which a material can withstand without tracking breakage and continuous flame with 50 drops of electrolyte.

【Glow wire flammability test】

Insulating material that holds parallel blades must pass the test specified by JIS C 60695-2-11 or JIS C 60695-2-12 at 750 degrees Celcius.

JIS C 60695-2-11 : Glow-wire flammability test method for end-products

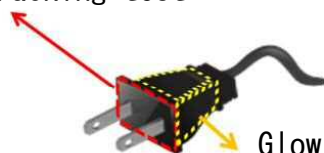
JIS C 60695-2-12 : Glow-wire flammability test method for end-material



(Summary of test method)

Press and hold a red heat rod (glow wire) heated by electric current to certain temperature for certain time to simulate the fire started from inside of the product and see if material itself and surrounding materials burn out

Proof tracking test



Glow wire flammability test