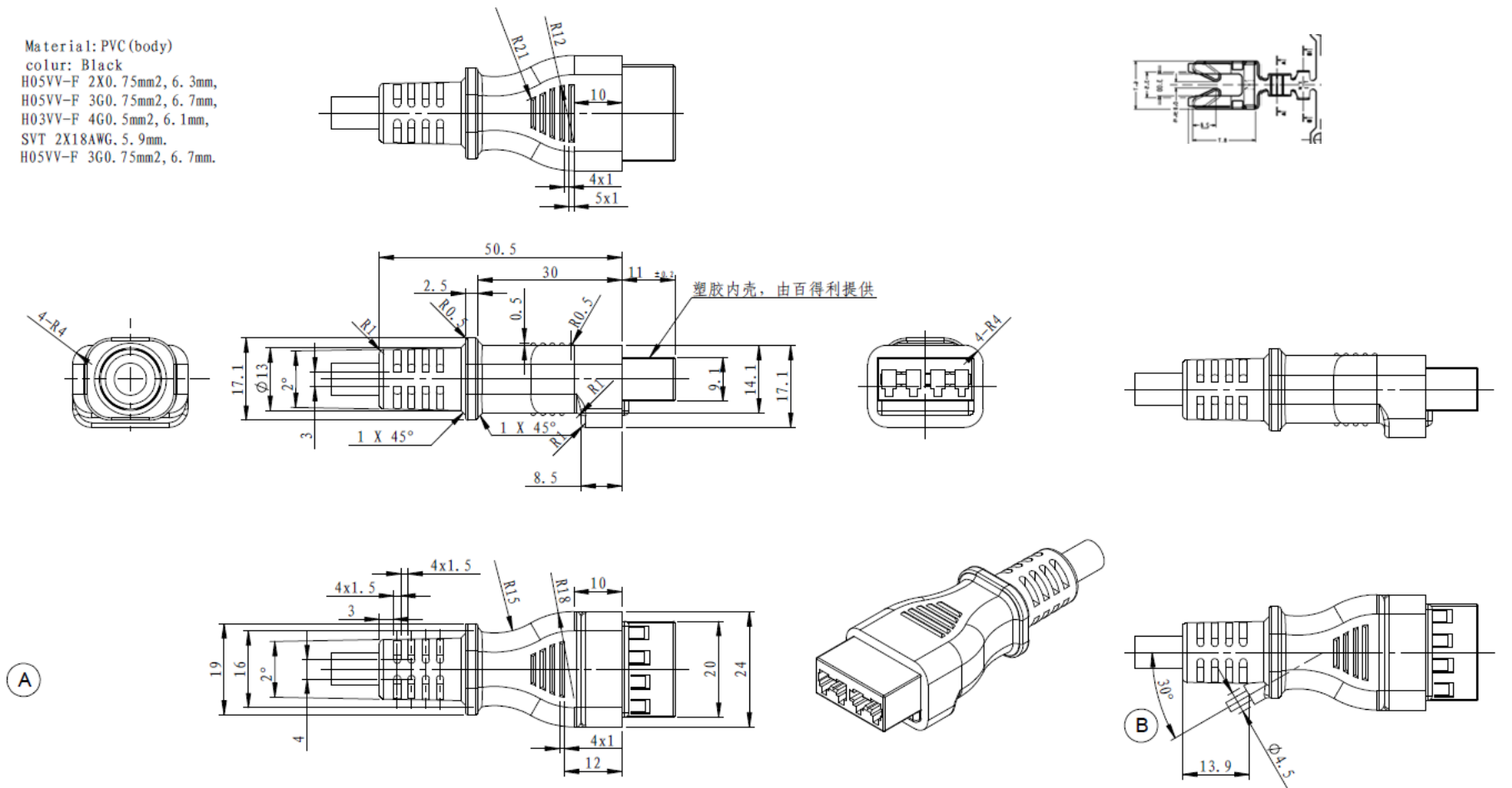



Material: PVC (body)  
 colour: Black  
 H05VV-F 2X0.75mm<sup>2</sup>, 6.3mm,  
 H05VV-F 3G0.75mm<sup>2</sup>, 6.7mm,  
 H03VV-F 4G0.5mm<sup>2</sup>, 6.1mm,  
 SVT 2X18AWG, 5.9mm,  
 H05VV-F 3G0.75mm<sup>2</sup>, 6.7mm.



Over molded 4 space receptacle with 5mm pitch distance between the spaces

 4B Jules Lane New Brunswick, NJ 08901 Tel. 732-249-2656 www.megaelectronics.com	<b>Proprietary Notice:</b>  This document is the property of MEGA Electronics, Inc. The Information contained herein is not to be disclosed to anyone without the express written consent of MEGA Electronics.	Customer P/N Rev.	Item Description: Card Edge Power Connectors		
	<b>RoHS Compliant</b>	Approved: ES	Drawn By: GF	2017-02-09	
		<b>Part Number: PC440 Family</b>			

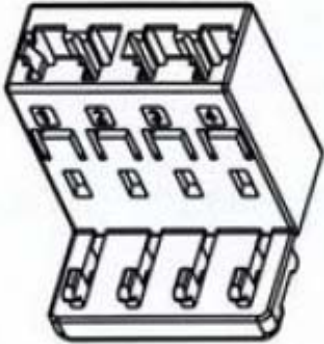
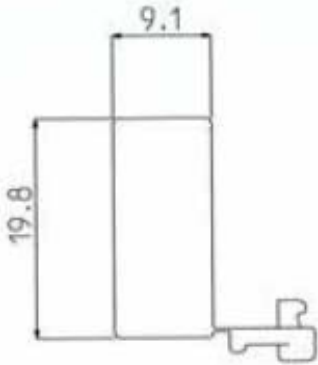
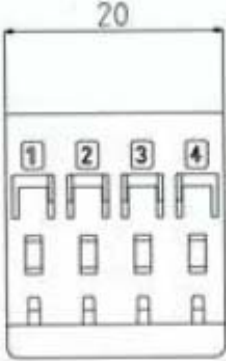

MEGA Reserves the right to alter Non-Critical dimensions without notice:

# PASSO 5,00mm CONNETTORI PER SCHEDE

## 5.00mm Pitch WIRE-TO-BOARD CONNECTIONS

### CONNETTORE 4 VIE

#### 4 WAYS HOUSING

							
CODICE Code	CONFEZIONE Package	COLORE Colour		MATERIALE Material	INFIAMMABILITA' Flammability		
WB5004H	2.500	Neutro /Neutral		Nylon 66	UL94-V2 750°C NoFlame		

The plastic material Nylon 66 UL94V2.

fork type for PCB Edge mating terminals, in conformity to Molex 94529 or Mikroplax WB5004H

**MEGA**  
ELECTRONICS INC.

4B Jules Lane  
New Brunswick, NJ 08901  
Tel. 732-249-2656  
www.megaelectronics.com

Proprietary Notice:

This document is the property of MEGA Electronics, Inc. The information contained herein is not to be disclosed to anyone without the express written consent of MEGA Electronics.

Customer P/N  
Rev.

RoHS Compliant

Mating board level connector

Approved: ES

Drawn By: GF

2017-02-09