

Locking C13
PA130100BK

THE ORIGINAL & PATENTED RETROFIT SOLUTION
...NOW COMES IN A REWIREABLE VERSION!

Guards against accidental disconnection of
Computers, PDU's, Servers and most Network Devices.



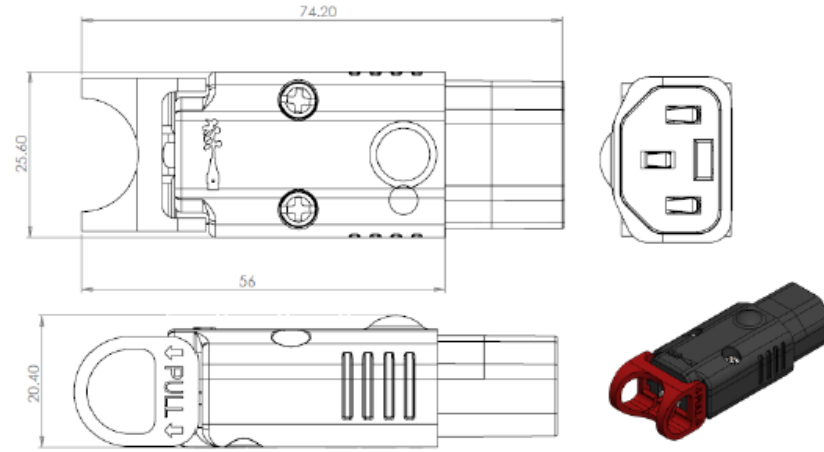
Connector cannot be accidentally pulled or vibrated out of 'ANY STANDARD' C14 IEC inlet

- Requires no other equipment or special inlets to secure it
- **Rewireable** - offering total flexibility when assembling cables
- Can be retrofitted
- **LSZH** - Low smoke zero halogen





Locking C13 PA130100BK



Packaging: Bulk packed

Rating: 10A /250V for Europe-15A /250V for USA

Cable size:
3C x 0.75 ~ 1.50mm² Max
3C x 14~18 AWG

Certification
KEMA/ENEC for Europe
SAA for Australia



For Japanese version see part PA130100BKPSE

B	SAA Added	10/19/16
A	Release	11/2/15
REV	Description	Date



48 Jules Lane
New Brunswick, NJ 08901
Tel. 732-249-2656
www.megaelectronics.com

Proprietary Notice:

This document is the property of MEGA Electronics, Inc. The information contained herein is not to be disclosed to anyone without the express written consent of MEGA Electronics.

Customer P/N
Rev.

RoHS Compliant

Item Description: Locking C13 connector, assembled. Mates with any C14 inlet

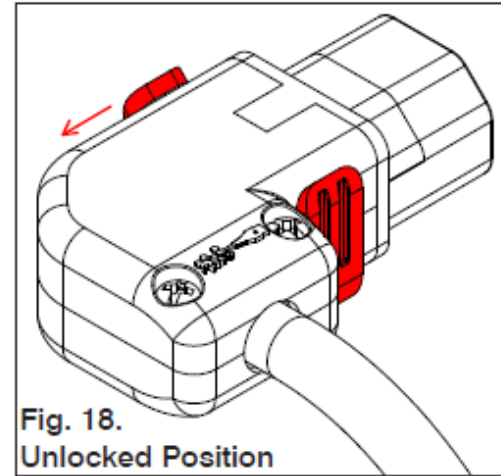
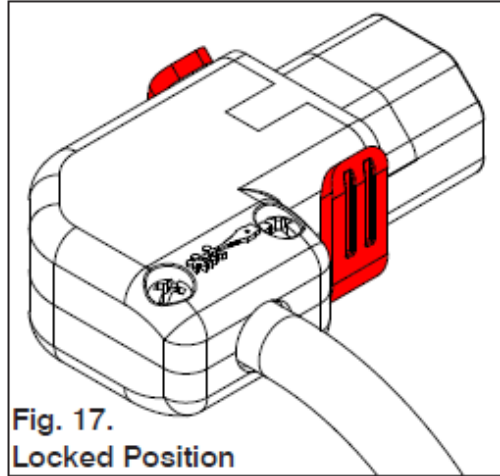
Approved: ES

Drawn By: GF

Part Number: PA130100BK

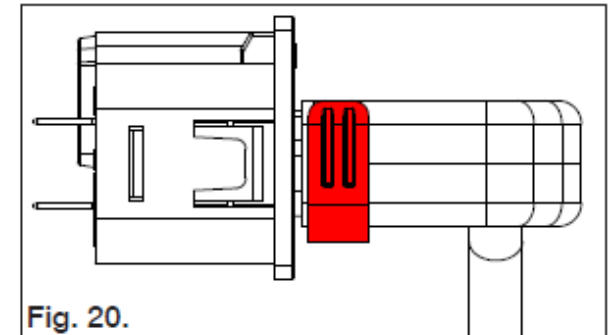
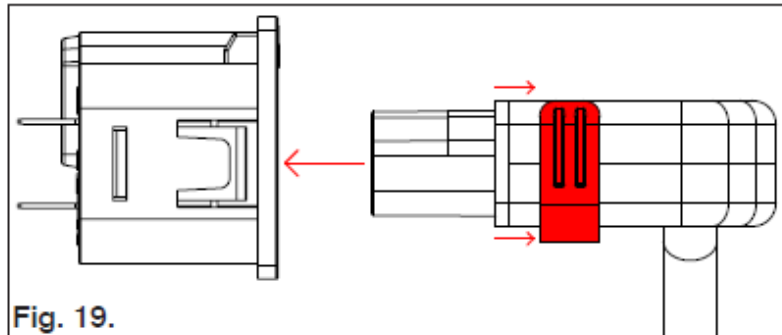
Left/Right Angled Locking C13 PA130100RBK

Before inserting the connector into a C13 socket, the locking blade mechanism must be disengaged by fully retracting the RED handle (Fig. 18.).



1. Insert Connector into C14 Socket (Fig. 19).

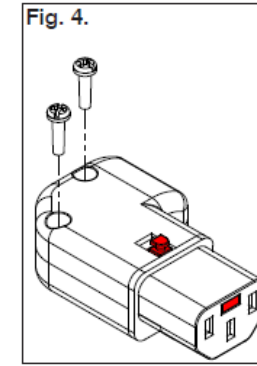
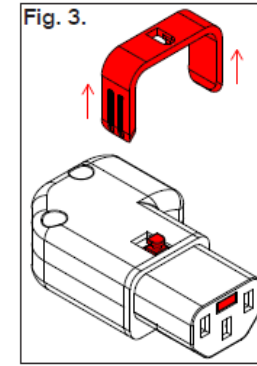
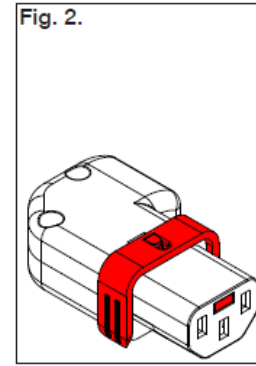
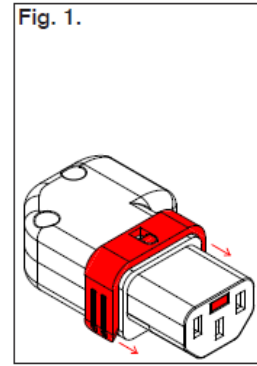
2. Release the handle to lock the connector in place (Fig. 20.).



Left/Right Angled Locking C13 PA130100RBK

WIRING

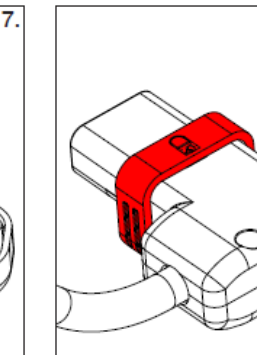
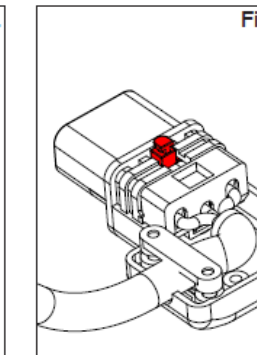
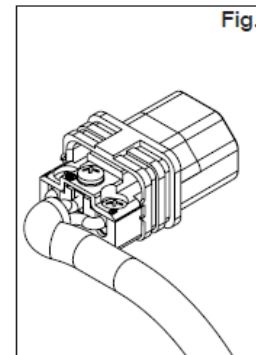
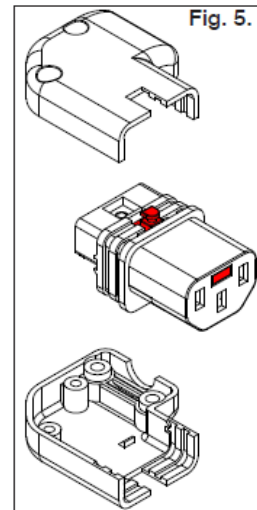
To access the terminations, first remove handle (Fig. 1-3.), remove the fixing screws (Fig. 4.), and then remove the outer housing and cord grip (Fig. 5.).



Wire the cable into the terminal (Fig. 6.) ensuring correct polarity and nominal torques values are observed (0.4Nm).

Strip cable sheathing to length (ensuring EARTH is longer than LIVE and NEUTRAL).

- Both LIVE (Phase) and NEUTRAL = 18mm
- EARTH (Ground) = 23mm

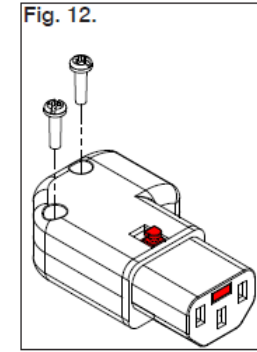
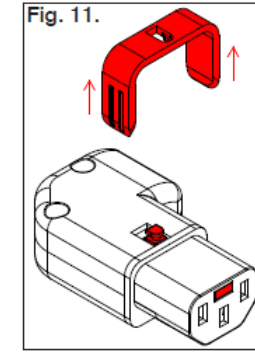
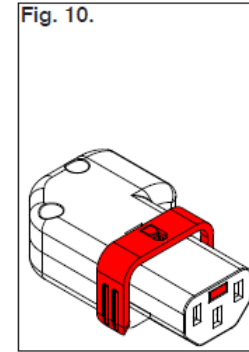
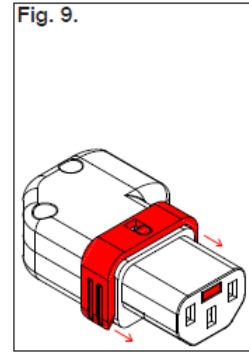


Replace the cord grip (Fig. 7.) ensuring the torque value is achieved (0.3Nm), and then replace the outer housing, screws and handle (Fig. 8.).

CHANGING THE ORIENTATION OF THE OUTER HOUSING

The orientation of this connector can be changed from 'right-angle' to 'left-angle'. This is done by following the steps below.

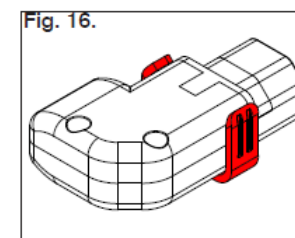
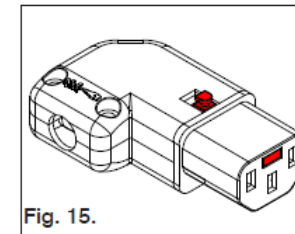
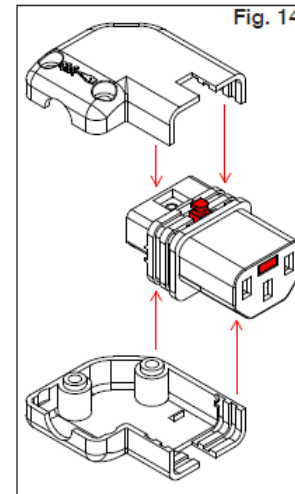
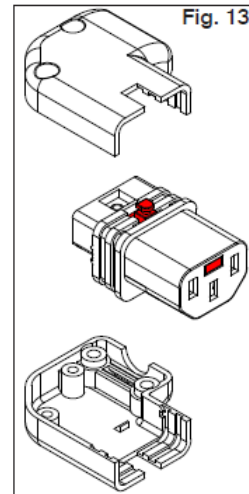
1. Remove the handle from the connector by sliding forward and pulling away from the connector (Fig. 9-11.).
2. Remove fixing screws from housing (Fig. 12.).



3. Remove the top and bottom outer housing (Fig. 13.).

4. Switch orientation and replace outer housing. The top housing should now be on the bottom and vice versa (Fig. 14 & 15.).

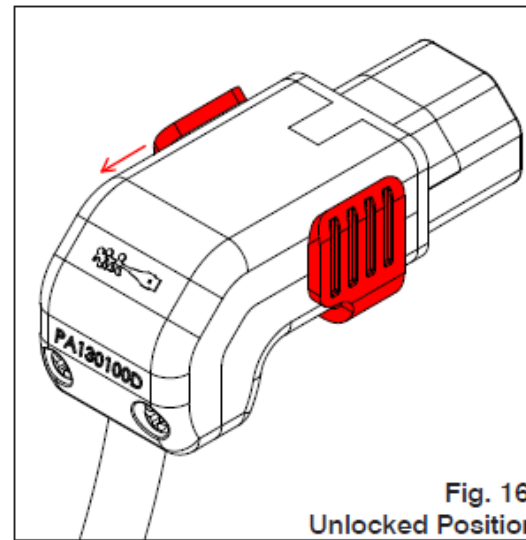
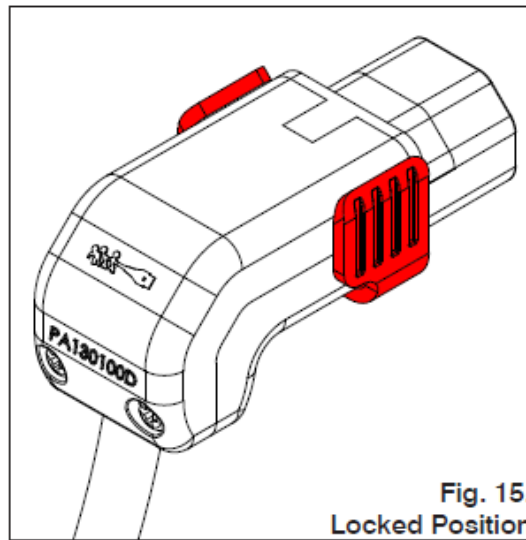
5. Once the outer housing has been replaced, the handle can be replaced (Fig. 16.).



Left/Right Angled
Locking C13
PA130100RBK

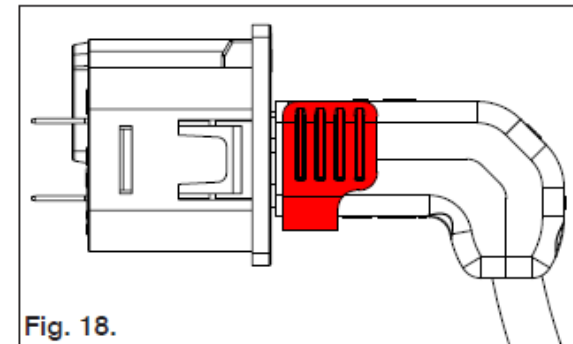
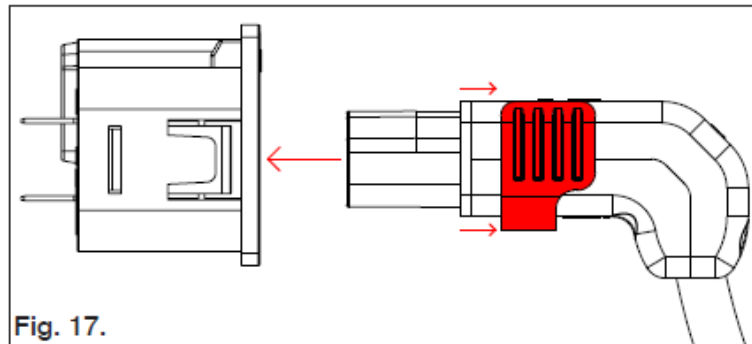
Down/Up Angled Locking C13 PA130100DBK

Before inserting the connector into a C13 socket, the locking blade mechanism must be disengaged by fully retracting the RED handle (Fig. 16.).



1. Insert Connector into C14 Socket (Fig. 17).

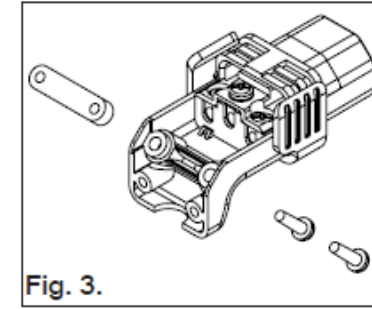
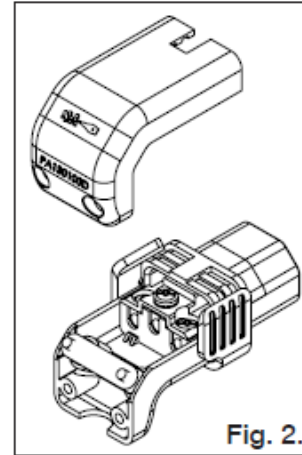
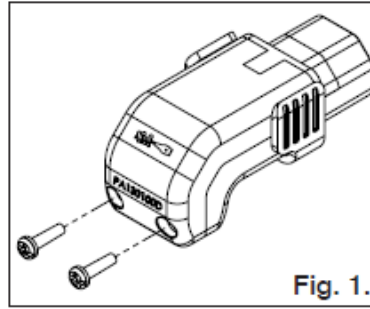
2. Release the handle to lock the connector in place (Fig. 18.).



Down/Up Angled Locking C13 PA130100DBK

WIRING

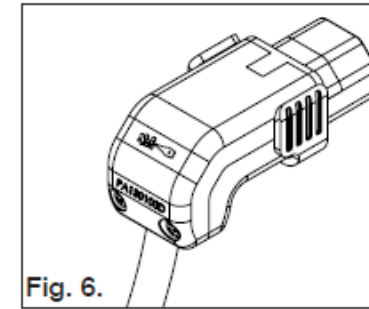
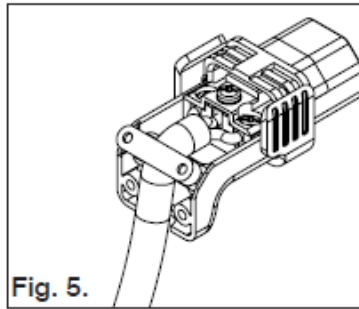
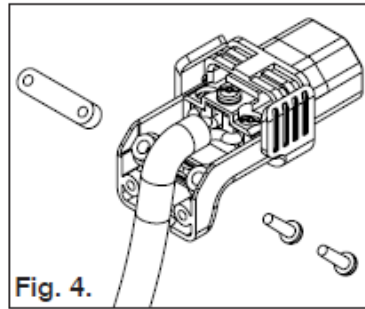
To access the terminations, first remove fixing screws (Fig. 1.), remove the outer housing (Fig. 2.), and then remove the cable clamp (Fig. 3.).



Wire the cable into the terminal (Fig. 4.) ensuring correct polarity and nominal torques values are observed (0.4Nm).

Strip cable sheathing to length (ensuring EARTH is longer than LIVE and NEUTRAL).

- Both LIVE (Phase) and NEUTRAL = 18mm
- EARTH (Ground) = 23mm



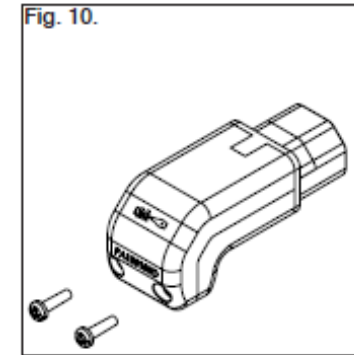
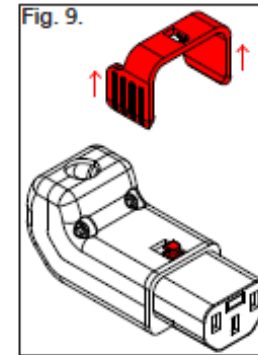
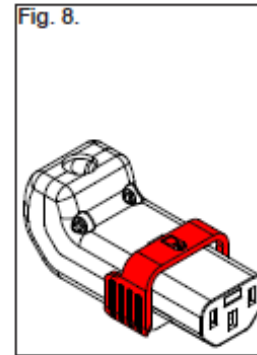
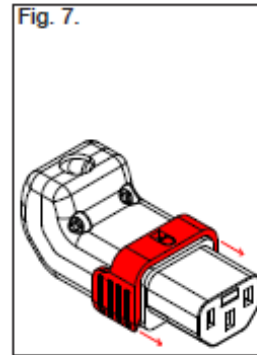
Replace the cord grip (Fig. 4 & 5.) ensuring the torque value is achieved (0.3Nm), and then replace the outer housing and screws (Fig. 6.).

Down/Up Angled Locking C13 PA130100DBK

CHANGING THE ORIENTATION OF THE OUTER HOUSING

The orientation of this connector can be changed from 'down-angle' to 'up-angle'. This is done by following the steps below.

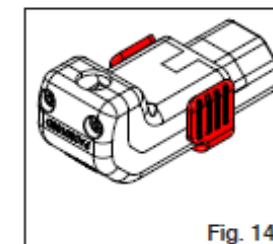
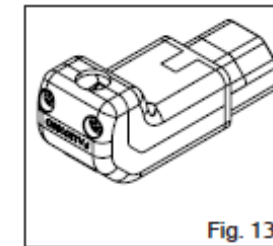
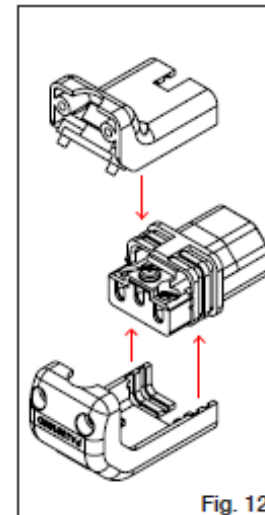
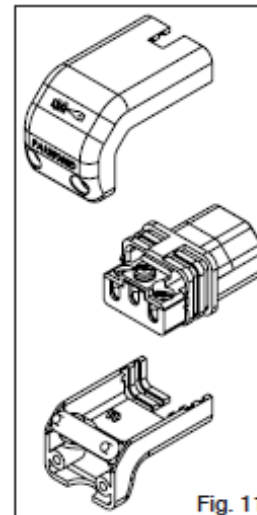
1. Remove the handle from the connector by sliding forward and pulling away from the connector (Fig. 7, 8 & 9).
2. Remove fixing screws from housing (Fig. 10).



3. Remove the top and bottom outer housing (Fig. 11).

4. Switch orientation and replace outer housing. The top housing should now be on the bottom and vice versa (Fig. 12 & 13).

5. Once the outer housing has been replaced, the handle can be replaced (Fig. 14).





Assembled Locking C13

TECHNICAL, SAFETY AND INSTALLATION INFORMATION

Please read the following information carefully before commencing installation.

Before commencing any electrical work, to prevent the possibility of receiving an electric shock, ensure the mains isolator on the consumer unit / fuse board is in the 'OFF' Position.

This product is rated to 10A (EU), 15A (USA/Canada) at 250V~ 50Hz and 60Hz.

STANDARDS

The rewirable IEC Lock is designed in accordance with the applicable sections of the current revision of the following documents. Where a conflict arises between these documents and statements made herein, the statements in the specification document will govern.

250V

- CSA C22.2 No. 60320-1-11. Standard for Appliance Couplers for Household and Similar General Purposes - Part 1: General Requirements - Edition 1 - Issue Date 05/12/2011
- UL 60320-1 Appliances Couplers for Similar General Purposes - Part 1: General Requirements - Edition 2 - Issue Date 05/12/2011
- IEC 60320-2-2:1998 (2nd Edition) used in conjunction with IEC 60320-1:2001 (2nd Edition)
- EN 60320-2-2:1998 (2nd Edition) used in conjunction with EN 60320-2:2001

SYSTEM DESCRIPTION

Screw-In Terminals – This product is designed to be used in accordance with cords with rating no higher than that of the product itself.

The nominal torque value for the terminal screws = 0.4Nm. The strain relief clamping screws should be tightened to 0.3Nm (2.65in-lbs).

MAXIMUM DIAMETER OF THE CORDS

Type or Cord	Number of cores and nominal cross-section area mm ²	Amperage
American	18AWG SJT, SJE, SJ 16AWG SJT, SJE, SJ 14AWG SJT, SJE, SJ	10A 13A 15A
European	3 x 0.75 3 x 1 3 x 1.5	6A 10A 16A